



Conveyor Rollers for
Industry & Commerce

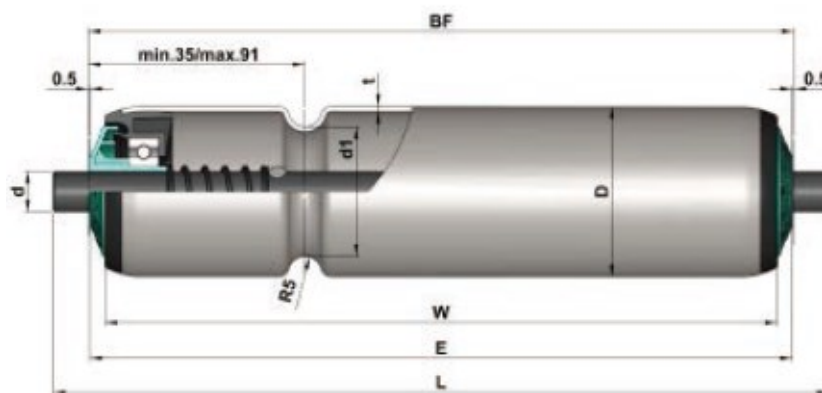
2230/2240 Series Rollers



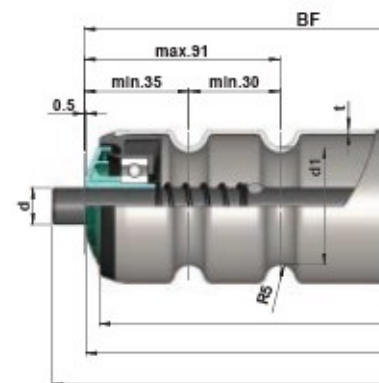
The 2230/2240 series roller is a single/double groove roller suitable for many driven applications. Each roller comes equipped with a polymer housed precision bearing, end cap, spring loaded shafts and tube. These rollers come with the option of one groove or two grooves with customizable locations.

Diameter (D)	Wall Thickness (t)	Shaft (d)	Stainless Steel	Galvanized
1.9"	16 ga	7/16"	✓ 	✓

* Customization upon request



2230 Single groove



2240 Double groove